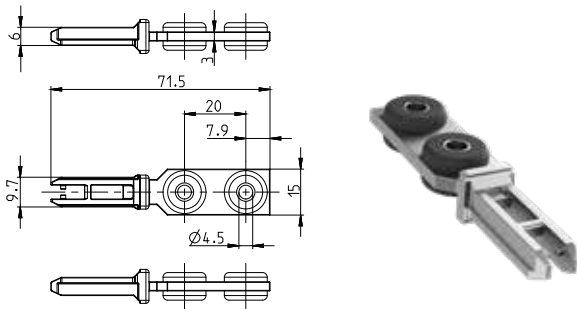


Actuators

Product selection

Article number	Designation
----------------	-------------

3911742390	ACS-1
------------	-------



Mechanical data

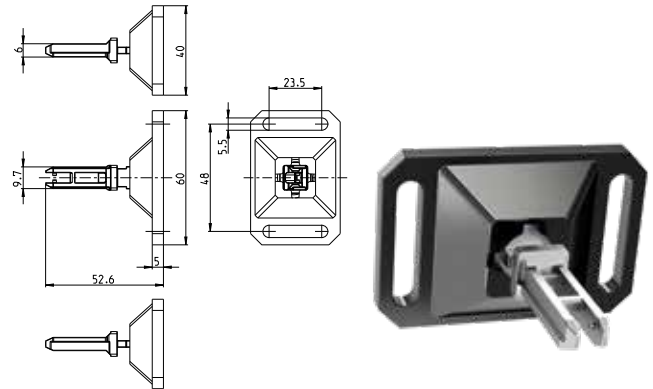
Actuator	Stainless steel (Niro)
----------	------------------------

Minimum actuating radius R_{min}	800 mm
------------------------------------	--------

Product selection

Article number	Designation
----------------	-------------

3911742391	ACF-1
------------	-------



Mechanical data

Actuator	Stainless steel (Niro)
----------	------------------------

Enclosure	GD-Zn
-----------	-------

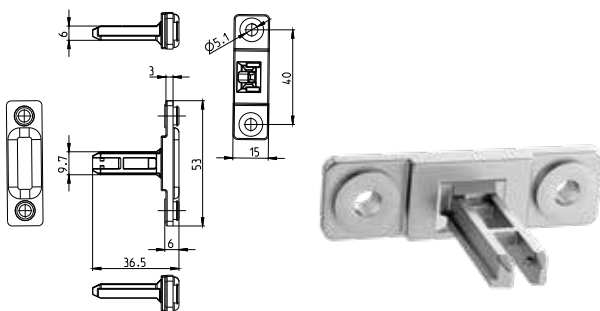
Minimum actuating radius R_{min}	400 mm
------------------------------------	--------

When screwed on, the actuator can be turned in 90° steps by pressing it into the actuator housing.

Product selection

Article number	Designation
----------------	-------------

3911742392	ACC-1
------------	-------



Mechanical data

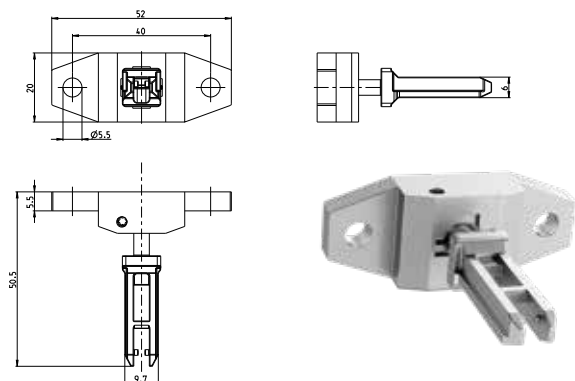
Actuator	Stainless steel (Niro)
----------	------------------------

Minimum actuating radius R_{min}	600 mm
------------------------------------	--------

Product selection

Article number	Designation
----------------	-------------

3911742398	ACR-1
------------	-------



Mechanical data

Actuator	Stainless steel (Niro)
----------	------------------------

Minimum actuating radius R_{min}	150 mm
------------------------------------	--------

Actuators must be ordered separately.